

# Holder/Release Smoke Detector



## Series 280 SENSAGUARD™

Glynn-Johnson provides a holder/release smoke detector designed to allow fire doors to remain open for easy passage, while releasing doors in an emergency. The SensaGuard™ Series 280 features an internal ionization-type smoke detector, powered by a single nine-volt battery. Its fail-safe operation automatically releases the door when battery power drops below 7.2 volts.

### Safe and Dependable

- Fail Safe Operation
- Battery Operated
- Automatic Release when Battery Power Drops

### Unmatched Convenience

- Easy to Install
- Self-contained
- Adjustable Hold-Open
- Stand-Alone Detector/Holder

### UL Listed

- Fail Safe Electronics

### Ideal for a variety of uses, including:

- Office building corridors
- Factories
- Schools
- Hospitals
- Nursing home patient rooms
- Multifamily residential units

### Adjustable Hold-Open

- SENSAGUARD™ will hold the door open at a single, adjustable position:
  - Pull Side Mounted adjustable from 90° to 130°
  - Push Side Mounted adjustable from 90° to 180°
- Adjustable Hold-Open force

### NFPA 101, Life Safety Code

- 5–2.1.8 Self Closing Devices Exception C, 2

### Finishes

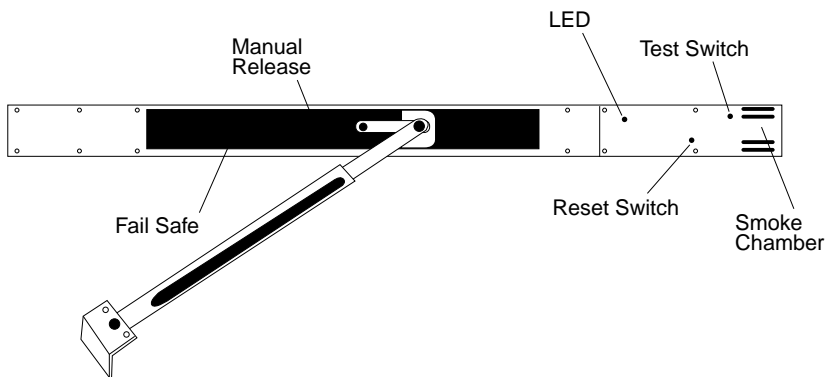
- US28 Clear Anodized Aluminum
- 313AN Dark Bronze Anodized Aluminum

### Dimensions

- Channel 27" Long x 1-3/8" Tall x 2-1/8" Depth
- Angle Bracket 2-3/4" Wide x 1" Tall x 1-1/2" Depth

### Battery Requirement

- Unit is furnished with battery.
- To replace battery, use a 9V Alkaline Eveready Energizer® #522 battery or Duracell® #MN1604. Do not substitute.



**Test Switch**

Allows testing for proper operation of the release mechanism.

**Reset Switch**

Used to reset the unit after testing or smoke detection.

**Smoke Chamber**

An ionization chamber that when smoke or particles of combustion are detected will release the door.

**LED Indicator**

Monitors the battery condition and signals status every 40 seconds.

**Fail Safe Operation**

Releases the hold-open when battery is below 7.2 volts or if battery or battery cover is removed.

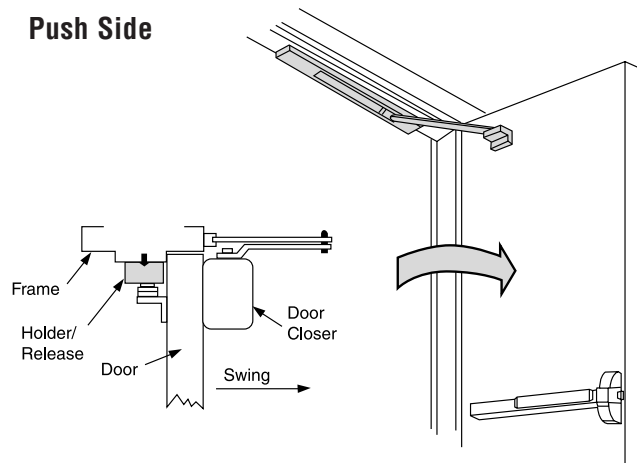
**Manual Release**

Allows the door to close when pulled to the closed position. The unit will reset when the door is returned to hold-open position.

**Easy to Install**

SensaGuard Holder/Release is easy to install. The unit surface mounts to the top of the door frame and the arm attaches to the door. The unit is battery operated, self-contained and requires no external wiring.

**Push Side**



**Pull Side**

